



7214 BEGAF Angular contact ball bearings, single row

Angular contact ball bearings, single row

Bearing data

[Tolerances,](#)

Normal (metric), P6, P5, Normal (inch),

[Internal clearance,](#)

CA+CB+CC, G,

[Preload,](#)

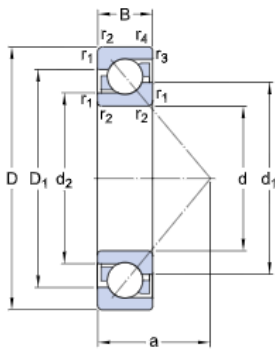
GA+GB+GC

Bearing interfaces

[Seat tolerances for standard conditions,](#)

[Tolerances and resultant fit](#)

Technical specification

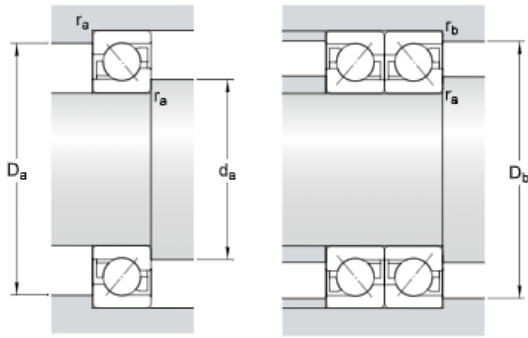


DIMENSIONS

d	70 mm	Bore diameter
D	125 mm	Outside diameter
B	24 mm	Width
d1	≈ 91.5 mm	Shoulder diameter inner ring (large side face)
d2	≈ 80.25 mm	Shoulder diameter inner ring (small side face)
D1	≈ 104.75 mm	Shoulder diameter outer ring (large side face)
a	53 mm	Distance pressure point
r _{1,2}	min. 1.5 mm	Chamfer dimension
r _{3,4}	min. 1 mm	Chamfer dimension outer ring small side face

ABUTMENT DIMENSIONS

d _a	min. 79 mm	Abutment diameter shaft
D _c	max. 116 mm	Abutment diameter housing
D _i	max. 119 mm	Abutment diameter housing
r _a	max. 1.5 mm	Fillet radius
r _b	max. 1 mm	Fillet radius



CALCULATION DATA

C	67.6 kN	Basic dynamic load rating
C ₀	56 kN	Basic static load rating
P _u	2.36 kN	Fatigue load limit
	6 300 r/min	Reference speed
	6 000 r/min	Limiting speed
A	0.053	Calculation factor
k _r	0.095	Calculation factor
e	1.14	Calculation factor

SINGLE BEARING OR BEARING PAIR ARRANGED IN TANDEM

X	0.35	Calculation factor
Y ₀	0.26	Calculation factor
Y ₂	0.57	Calculation factor

BEARING PAIR ARRANGED BACK-TO-BACK OR FACE-TO-FACE

X	0.57	Calculation factor
Y ₀	0.52	Calculation factor
Y ₁	0.55	Calculation factor
Y ₂	0.93	Calculation factor